



FOCUS ON THE TRANSMISSION MANUFACTURING INDUSTRY

YOUR ADVANTAGE IN AN INDUSTRIAL WORLD



LET'S TALK ABOUT TRANSMISSION MANUFACTURING

Cost and productivity. There are strong market pressures to reduce overall costs and improve productivity and efficiency.


Supplier streamlining. Choice and use of suppliers is key. Streamlining your supplier portfolio is likely to reap benefits and help reduce complexity in your organisation.

Increasing product and process challenges. Four speed transmissions are increasingly being replaced by five and now six speed transmissions, requiring small components be manufactured to even finer tolerances and higher quality within the same production facilities.

Environmental pressures. There is increasing pressure to develop and implement strategies to improve environmental performance, particularly in the area of metalworking fluid usage.

Customer demands. Automotive manufacturers are demanding smaller and lighter transmissions incorporating soft gear changes and maintenance-free transmission fluids.

FOCUS ON THE TRANSMISSION MANUFACTURING INDUSTRY



A complete solution designed around transmission manufacturing.

At Castrol, we have focused on machining operations creating a solution designed to increase productivity and improve overall health, safety & environmental (HSE) performance in your transmission manufacturing operations. Our range of solutions are designed to deliver a tailored approach to help you achieve the highest efficiency in your plant.

TARGET 1: TO DELIVER A RANGE OF PRODUCTS AND SERVICES TO ENHANCE PRODUCTIVITY AND REDUCE COSTS

- Using our extensive understanding of the interactions between components, tools and metalworking fluids, we can select products from our full range to match your specific application needs.
- Our machining test center will be made available to simulate your operations and directly compare lubricant performance to minimise your risk and enhance your ability to evaluate and compare metalworking fluids for your operations.
- We will deliver consistent performance of metalworking fluids through scheduled monitoring of large central systems.
- With Castrol System^{RT}, our metalworking fluid monitoring system, we can bring you real-time automated testing to continuously optimise your fluid performance.
- Castrol is best positioned to offer a level of technical service which can be designed to suit all applications from basic fluid management to a full chemical management services program.

TARGET 2: TO PROVIDE A GLOBALLY CONSISTENT COMPLETE RANGE OF PRODUCTS FOR ALL YOUR LUBRICATION NEEDS

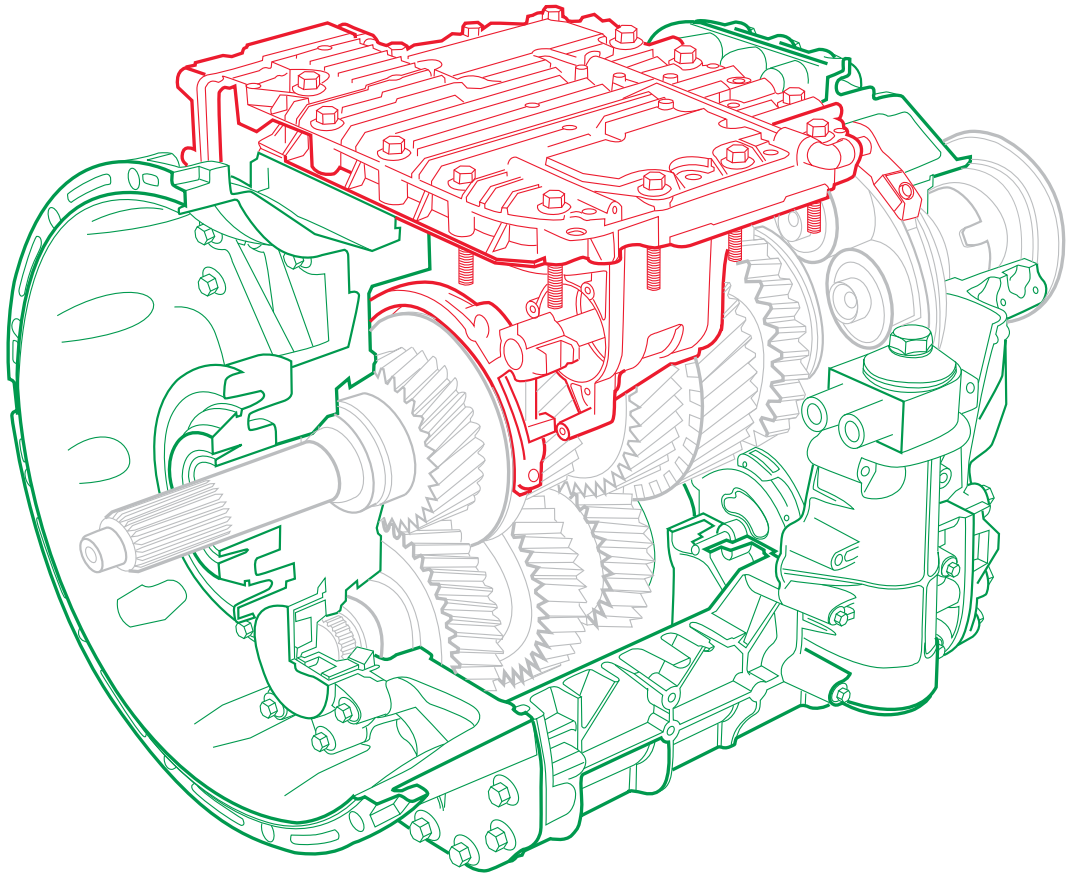
- We can provide consistency in implementing process improvements and cost reduction across all of your locations worldwide.
- Using our global knowledge network, we can ensure best practice transfer between your manufacturing locations.
- We can provide consistent product technology across global regions and act as your global partner.

TARGET 3: TO OPTIMISE WASTE MANAGEMENT AND PROVIDE COMPREHENSIVE HSE SUPPORT

- We can recommend and supply products which will meet your local legislative requirements.
- We can provide expert advice on disposal and work closely with you to reduce costs of waste streams by extending system life.
- We will recommend new product technologies that reduce environmental impact.
- Our customised solutions will optimise chemical usage and provide consistent product performance.

	ROUGH MACHINING		FINISH MACHINING		TRANSMISSION
CASTING/ FORGING	<ul style="list-style-type: none"> • Turning • Boring • Drilling • Tapping 	IN PROCESS WASH	<ul style="list-style-type: none"> • Grinding • Reaming 	FINAL WASH	HYDRAULIC SYSTEM
ALUMINIUM CASTING	<ul style="list-style-type: none"> • Turning • Milling • Drilling 		<ul style="list-style-type: none"> • Tapping • Reaming • High speed boring 		HOUSING
FORGING	<ul style="list-style-type: none"> • Turning • Boring • Hobbing • Gear shaping • Drilling 		<ul style="list-style-type: none"> • Gear shaping • Drilling 		GEAR SHAFTS





WHAT SETS US APART IN YOUR PROCESS?

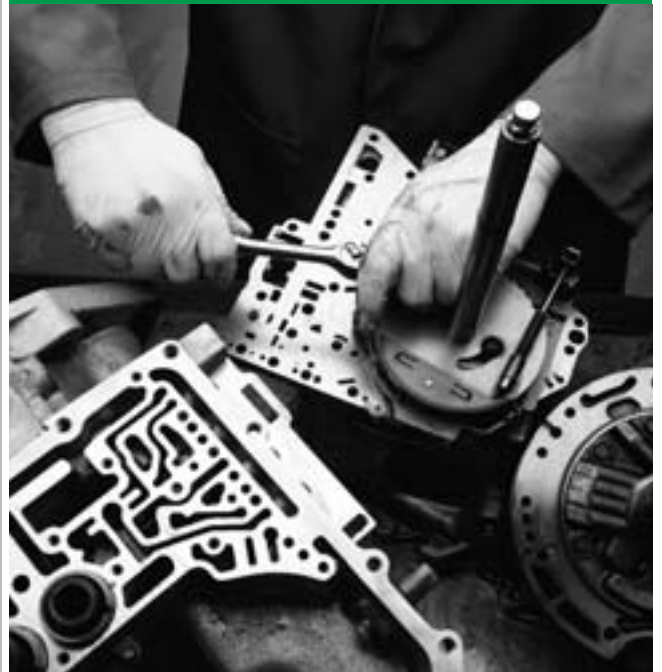
- We are market leaders in both semi-synthetic and synthetic metalworking fluids for machining aluminium and ferrous materials, with a comprehensive proven track record of performance delivery.
- We offer a broad product selection from a range of machining products capable of delivering performance improvements and reducing overall cost for your manufacturing process.
- Our customers benefit from our ability to supply a comprehensive range of metalworking fluids and lubricants to meet all manufacturing needs.
- Our technical support have an in-depth knowledge of transmission manufacturing applications that enables us to match our solution to your specific needs.
- We have a range of system monitoring capabilities including our unique Castrol System^{RT}.

FOCUS ON THE TRANSMISSION MANUFACTURING INDUSTRY

WHAT MAKES CASTROL'S FOCUSED OFFER **UNIQUE**

> **FOCUS ON PROVEN SUCCESS**

Following rigorous process analysis in a gear and axle manufacturing plant, use of Castrol Alusol XT dramatically cut coolant usage, additives and waste, saving over USD \$100,000 per annum.





In every market, every sector is different. And in every sector, every customer is different.

That is why we have focused our world-leading industrial metalworking fluid and lubricant expertise to create a set of solutions tailored to your specific industrial needs. But more than that, we refine and enhance our offer even further, to meet your unique needs individually. We do this because we know that to make the biggest impact on your productivity, your efficiency and your product quality, we must create the one solution which is absolutely right for you.

A range of choices

Castrol ProductSolutions

Delivering the best combination of metalworking fluids, lubricants, corrosion preventives and cleaners, with the right level of service and support.

Castrol TechService

Our full Castrol ProductSolutions, plus a range of advanced technical services including application support, performance surveys, laboratory analysis, system equipment, filtration programs and process troubleshooting.

Castrol SystemCare

Sophisticated metalworking fluid management with real time system monitoring using Castrol System^{RT} – our unique technology that advances system productivity, prolongs metalworking fluid life and improves performance.

Castrol Complete^{CMS}

A comprehensive solution, including full product and process optimisation, waste minimisation programmes, and intensive management of metalworking fluids to deliver continuous improvement and documented cost reduction.

FOCUS ON THE TRANSMISSION MANUFACTURING INDUSTRY

Legal entity
Address line 1
Address line 2

Tel ...
Fax ...
Email ...

www.castrol.com/industrial

Castrol, the Castrol logo, Castrol Complete^{CMS}, Castrol Alusol XT and Castrol System^{RT} are trademarks of Castrol Ltd, used under licence.

